



CONE CLIMBER 2400

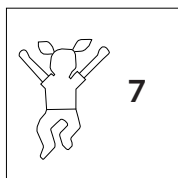
TAY- CC05-CC2400-00

EN1176-1:2017

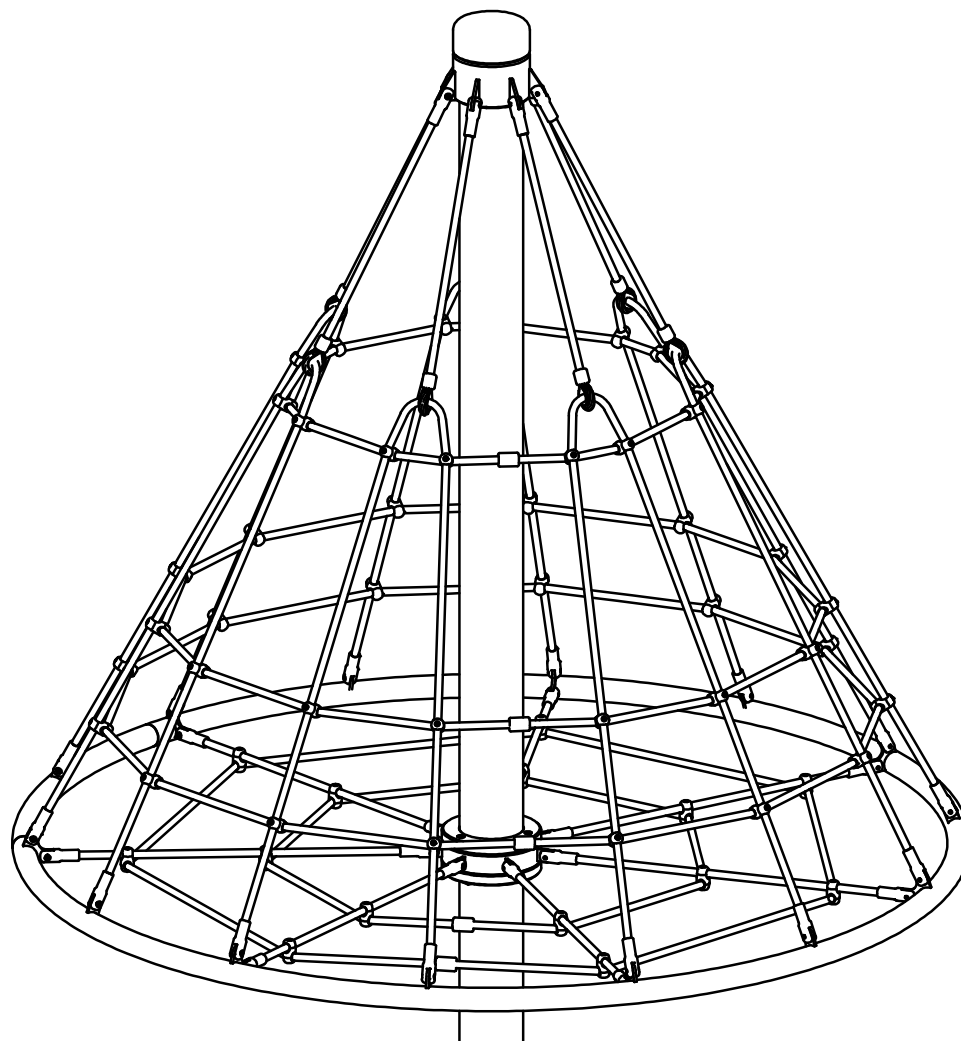
EN1176-11:2014

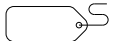















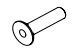
3+





Ø 6.1m




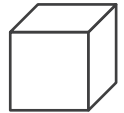



| | | | |
|----|---|-------------------|------|
| 1 |  | SW82702 | 14kg |
| 1 |  | SW82693 | 6kg |
| 1 |  | SW82062 | 13kg |
| 1 |  | SW82016 | 9kg |
| 1 |  | TAY-51212 | |
| 1 |  | SW82018 | 34kg |
| 1 |  | M8x100 A2 CSK SCS | |
| 1 |  | SW81995 | 1kg |
| 1 |  | SW82026 | 3kg |
| 1 |  | SW81996 | 1kg |
| 1 |  | M8 A2 NYLOC | |
| 35 |  | SW82232 | |
| 35 |  | SW82233 | |
| 35 |  | M6x25 A2 | |


S6 
 EN1176
 1500mm


S14 
 m²
 29.22

S13 
 m³
 0.5

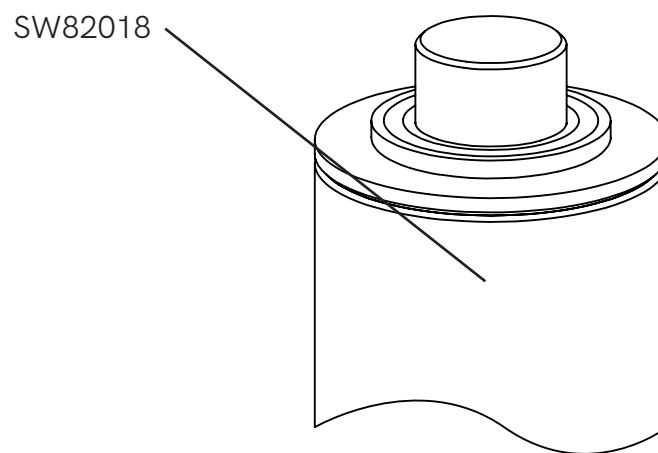
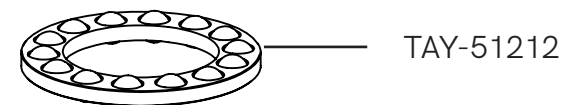
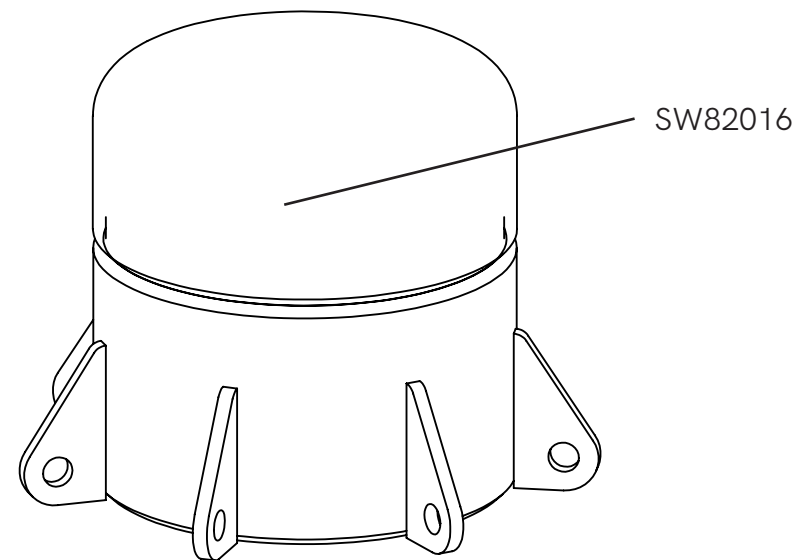
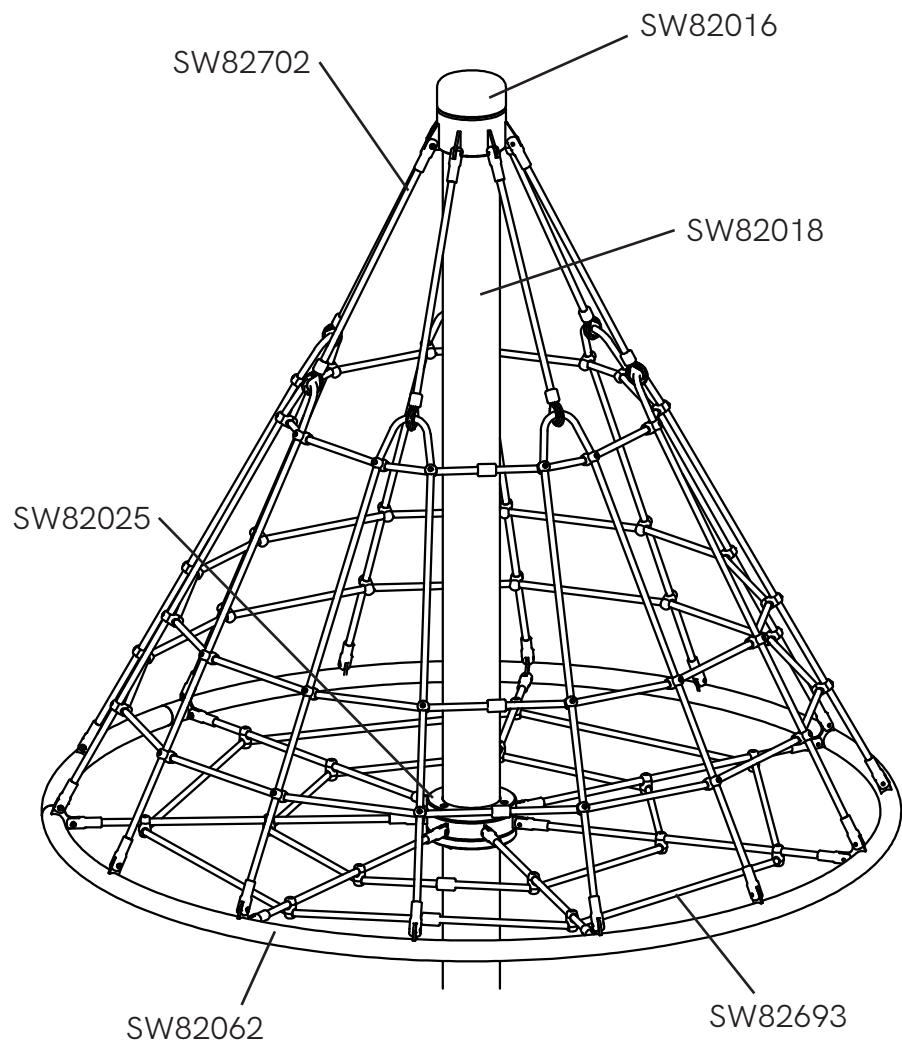
S15 
 L x W x H (m)
 6.1 x 6.1 x 2.4

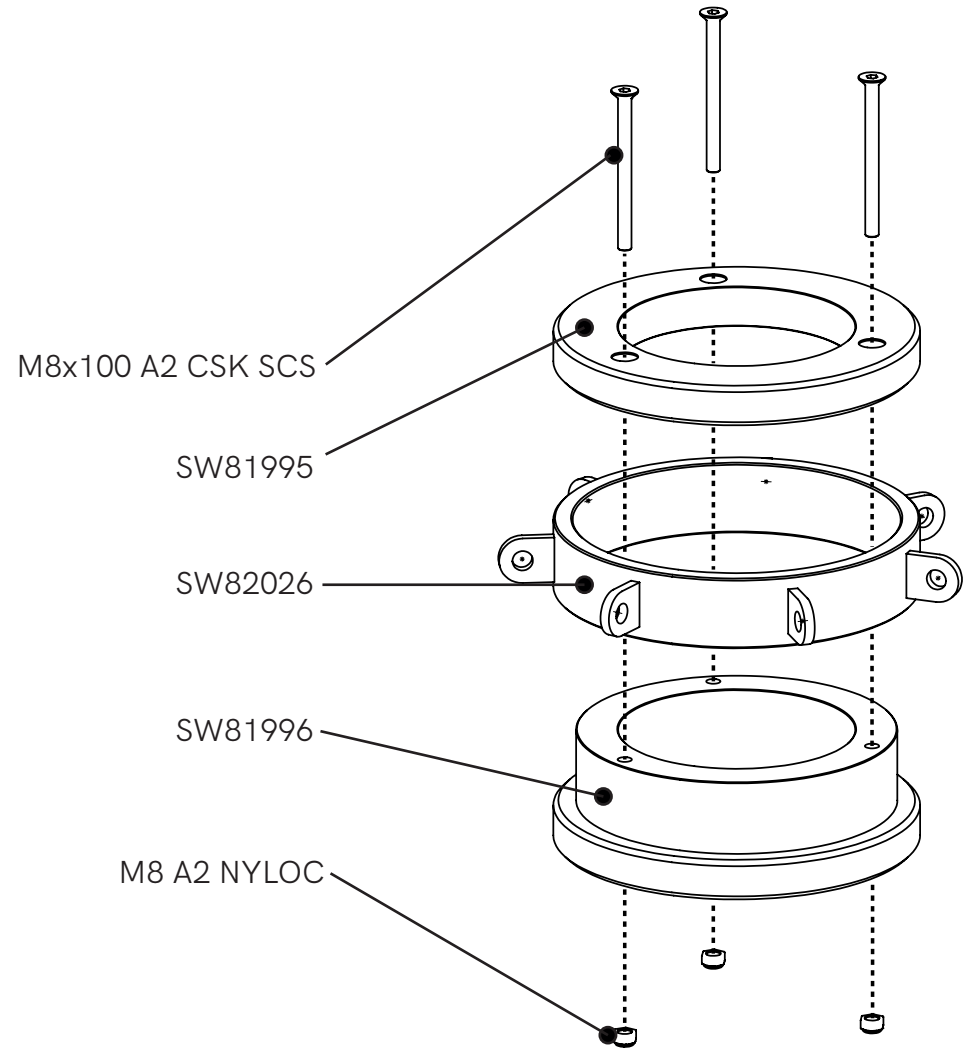
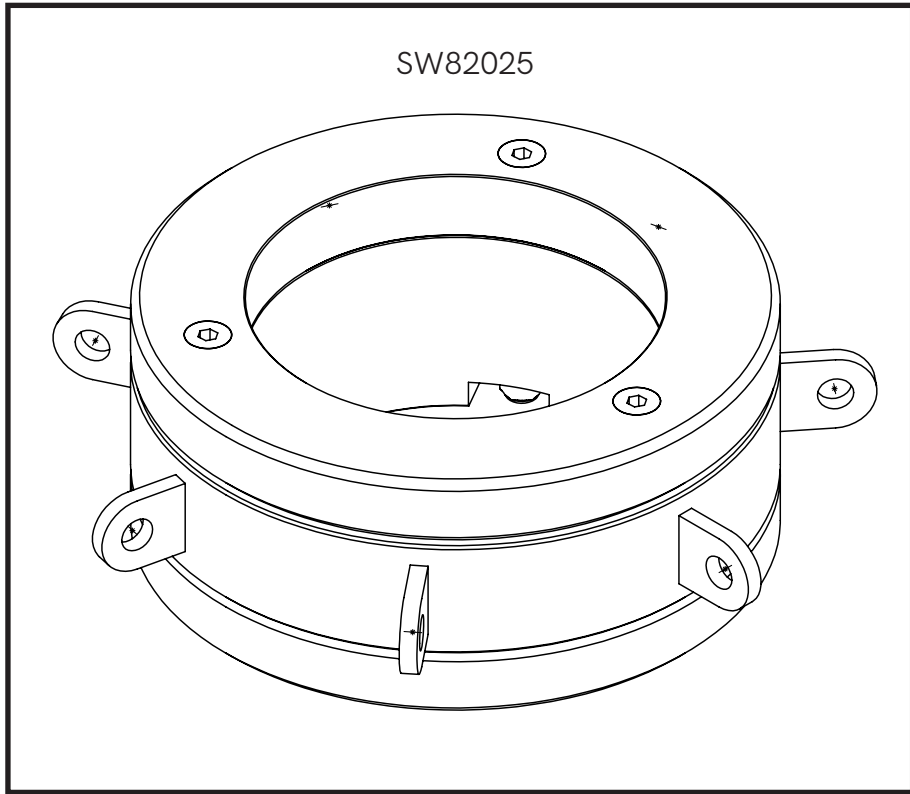
S23 
 T30H

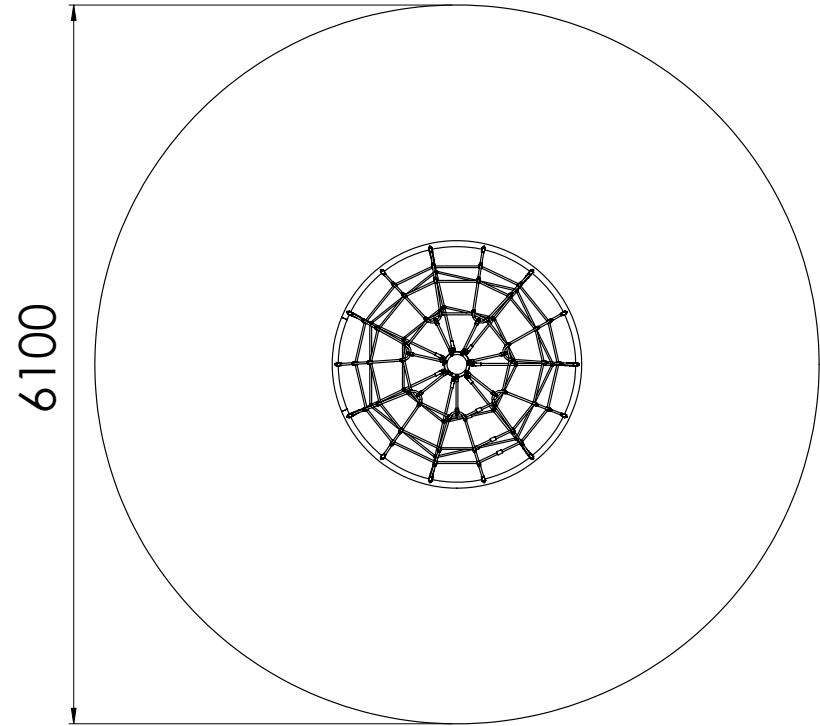
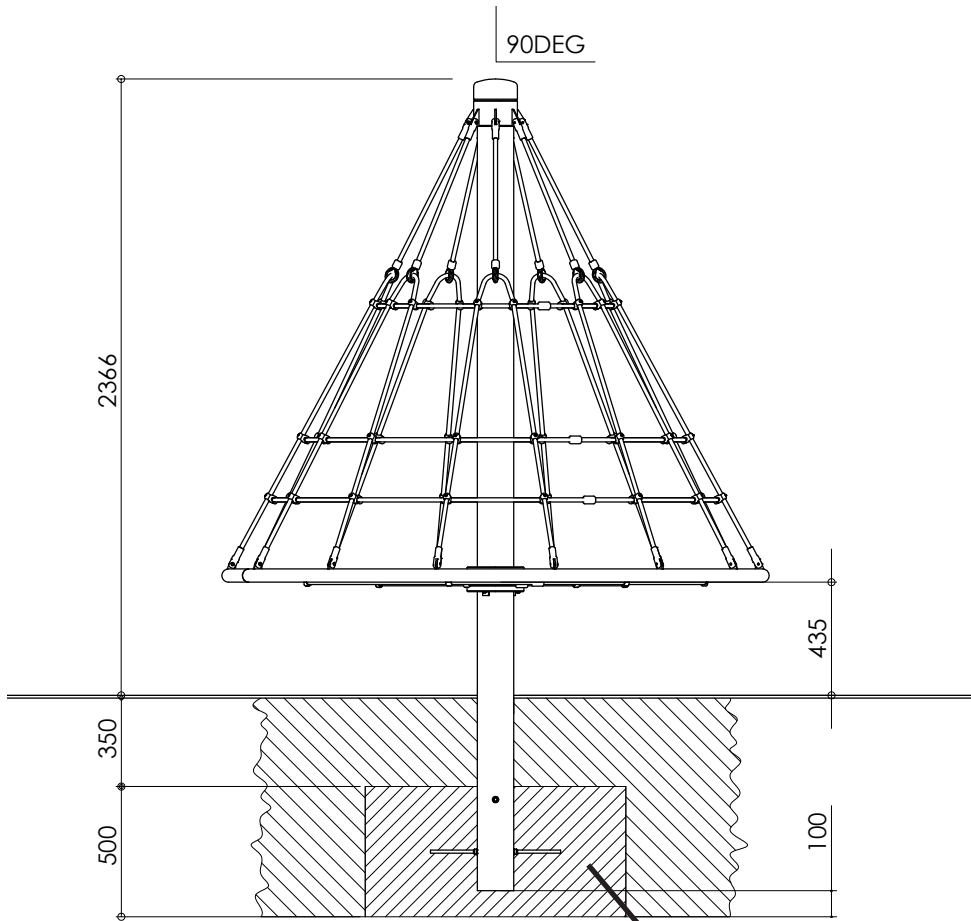
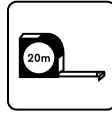
S20 
 8 X 24

S12 
 kg
 81





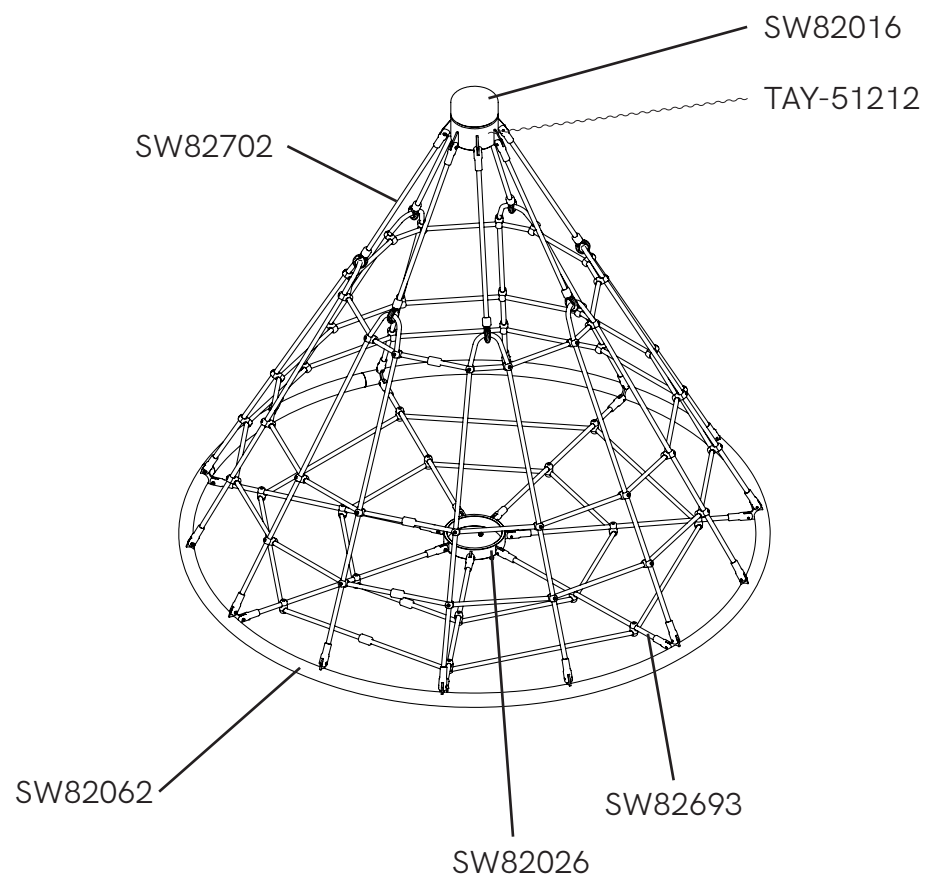
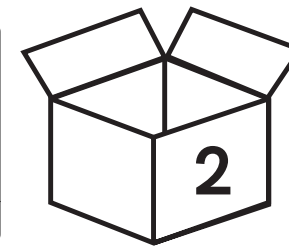
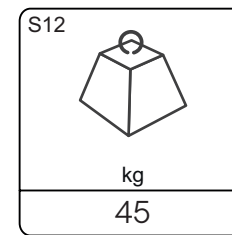
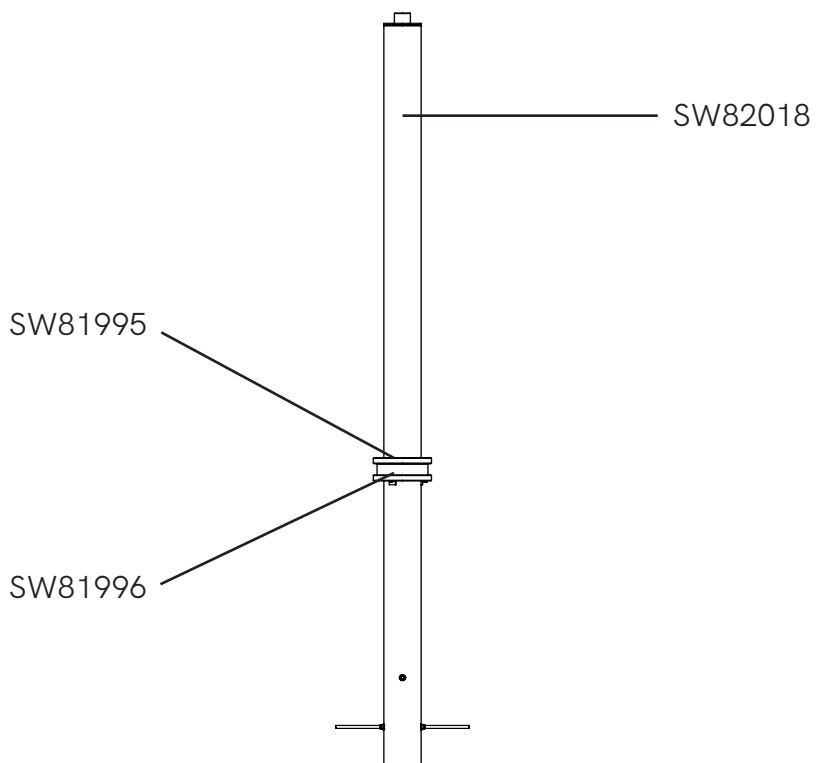
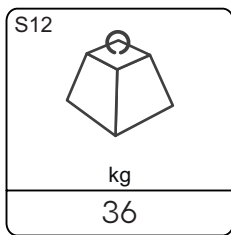
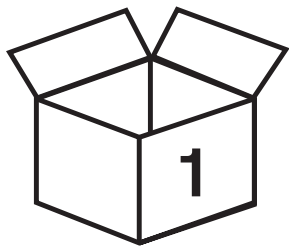


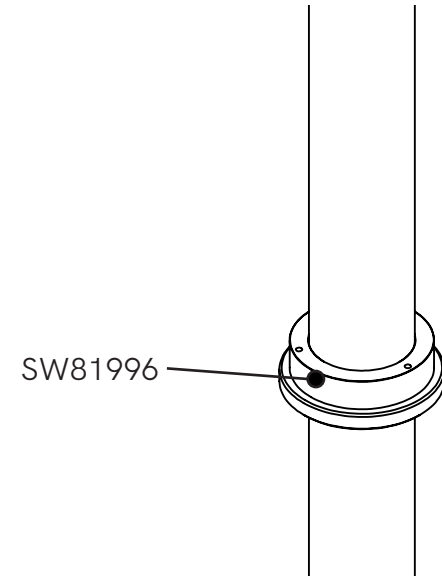
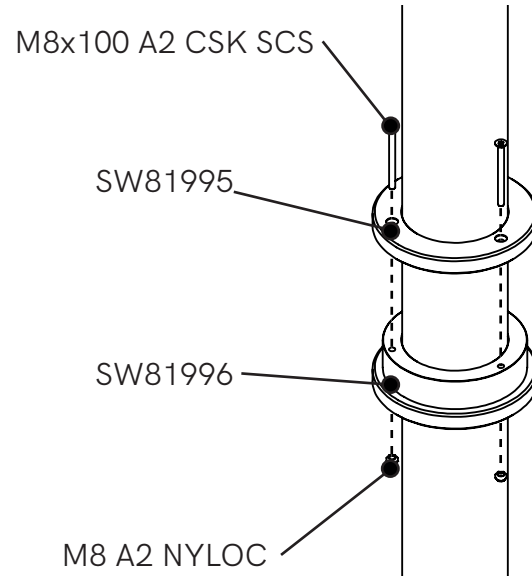
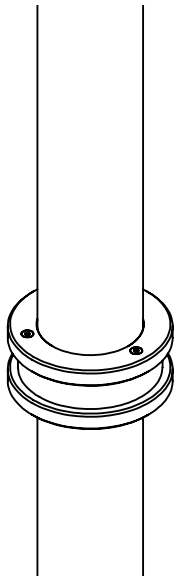
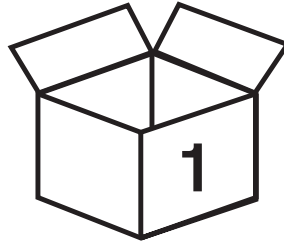
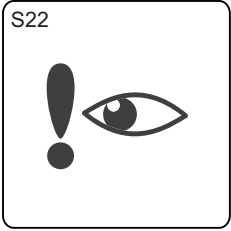


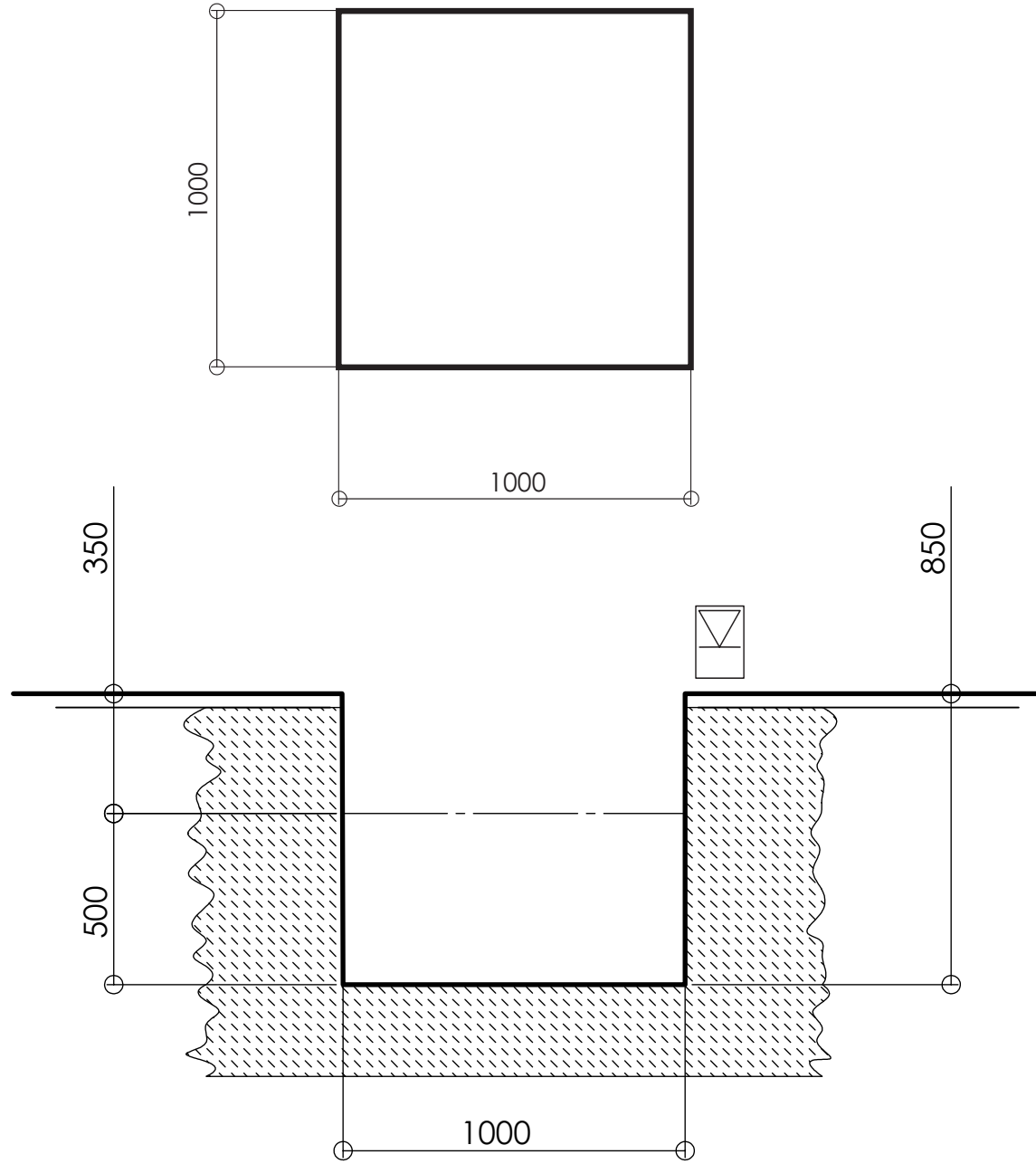
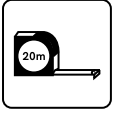
0.5m³
30N/mm²

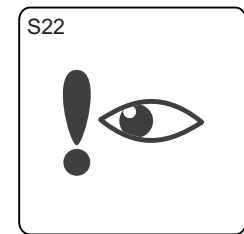
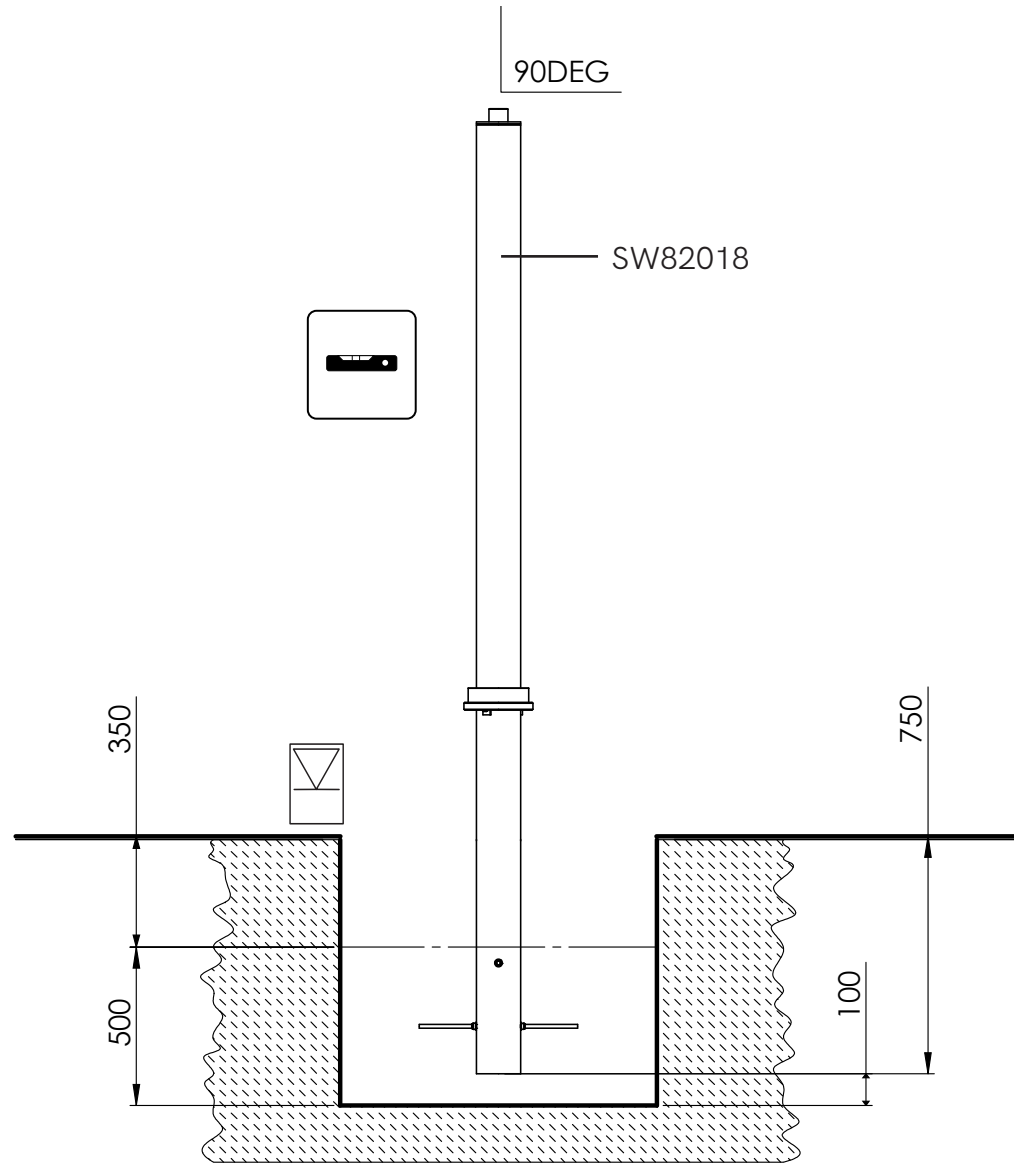
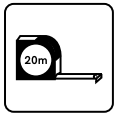


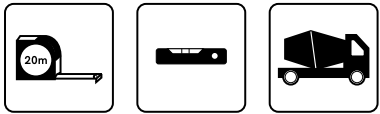
TAY- CC05-CC2400-00



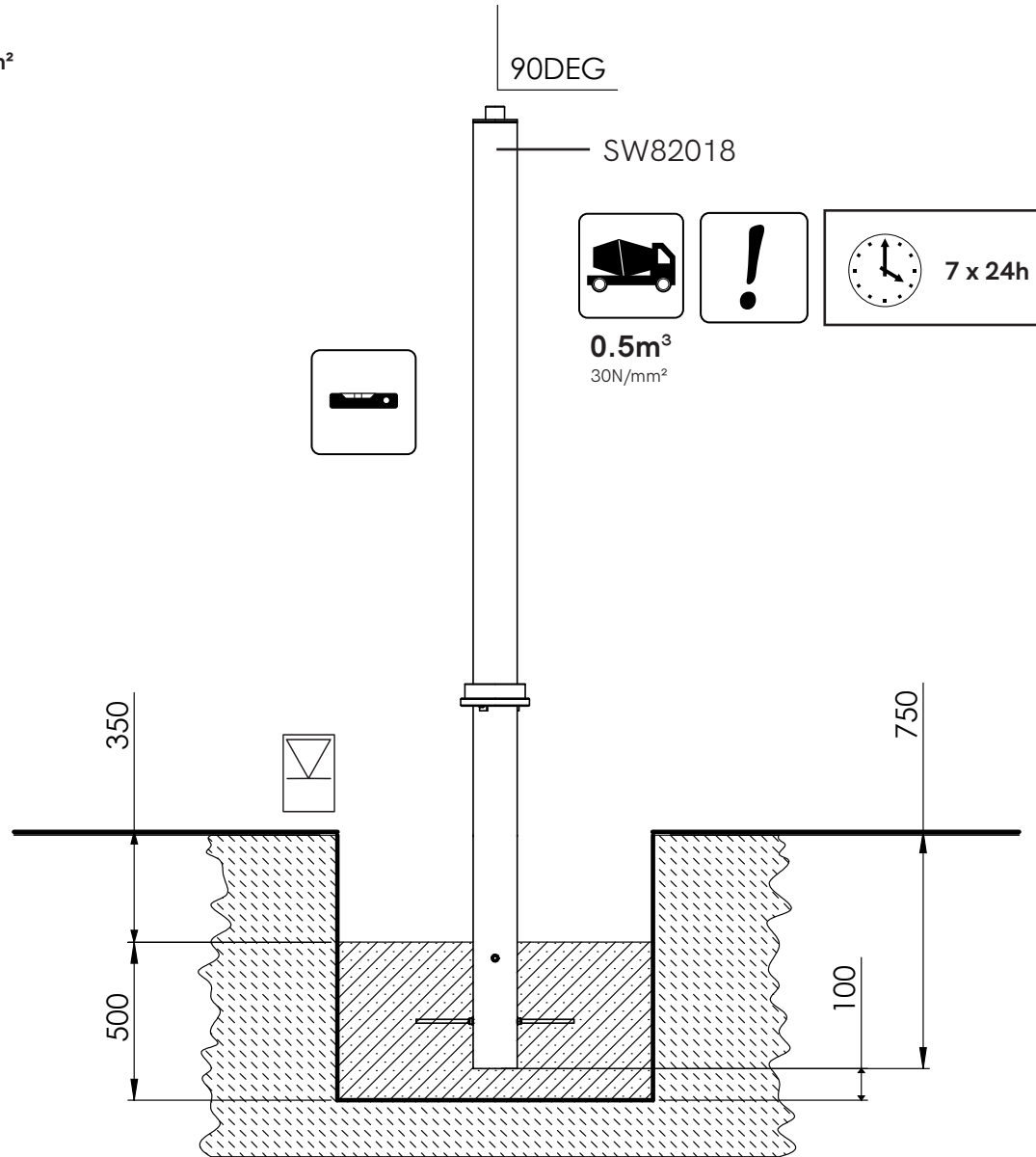
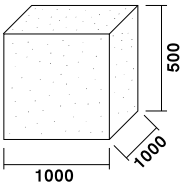


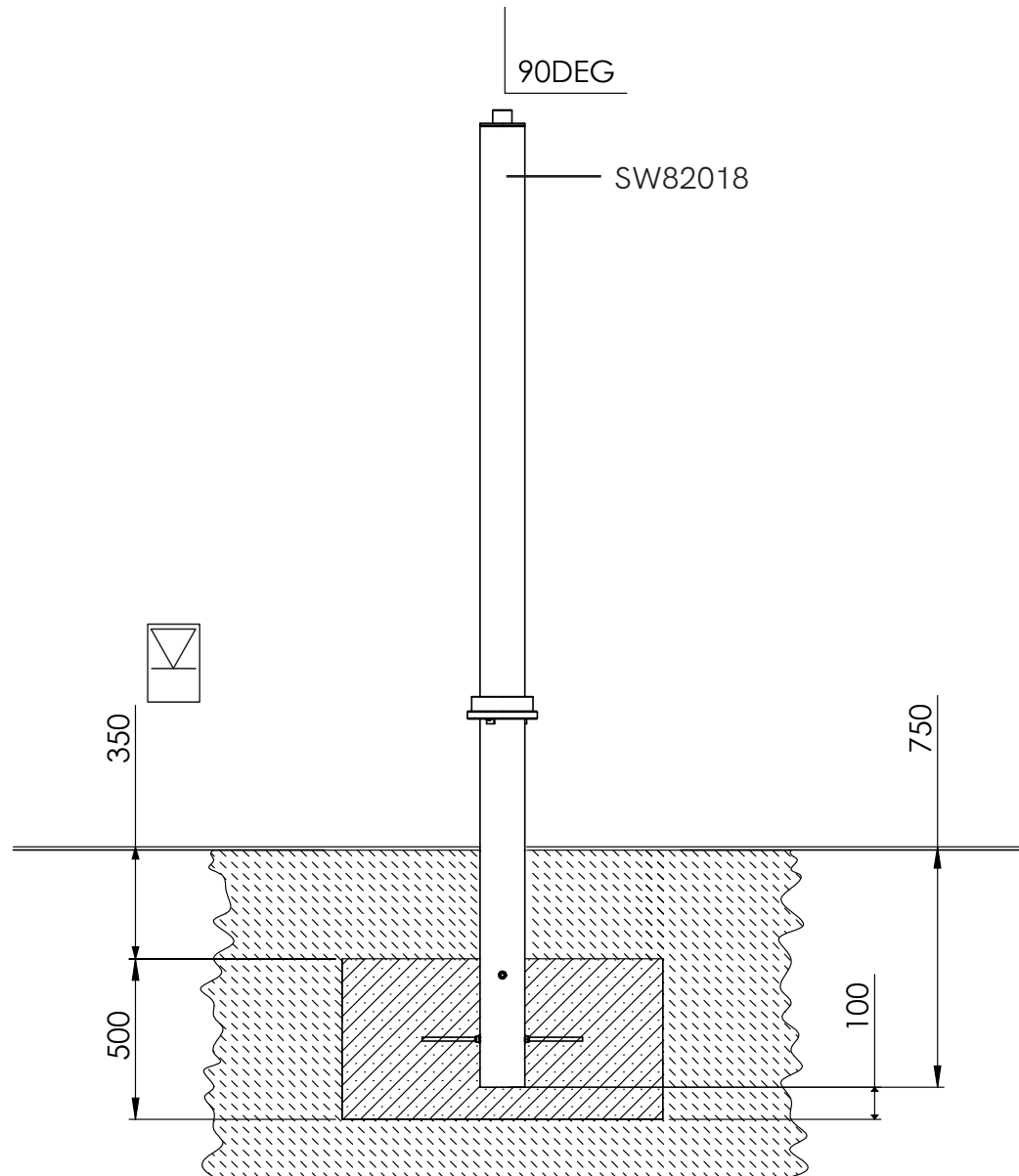


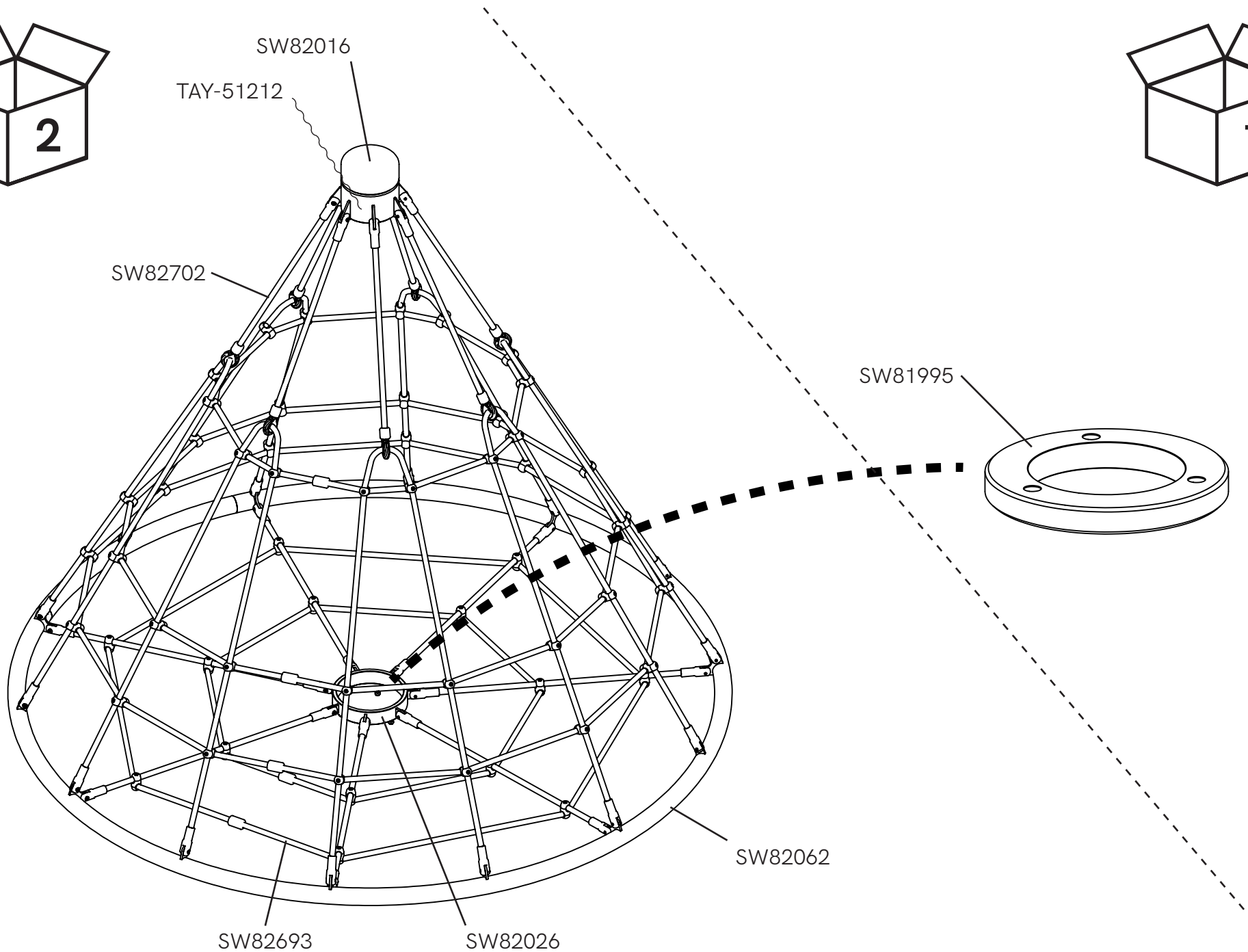
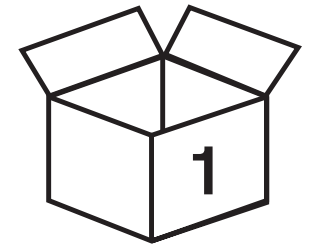
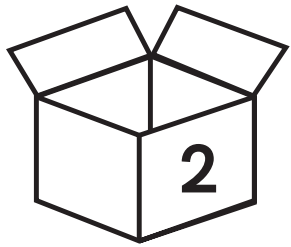





30N/mm²








S12

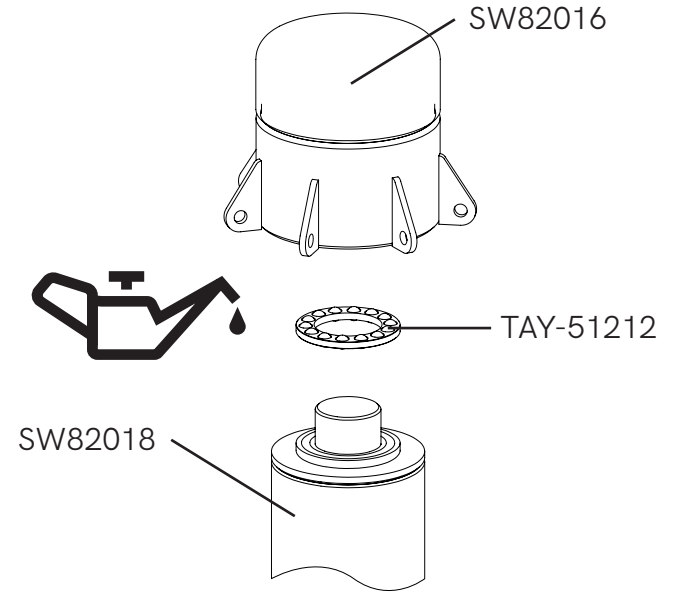
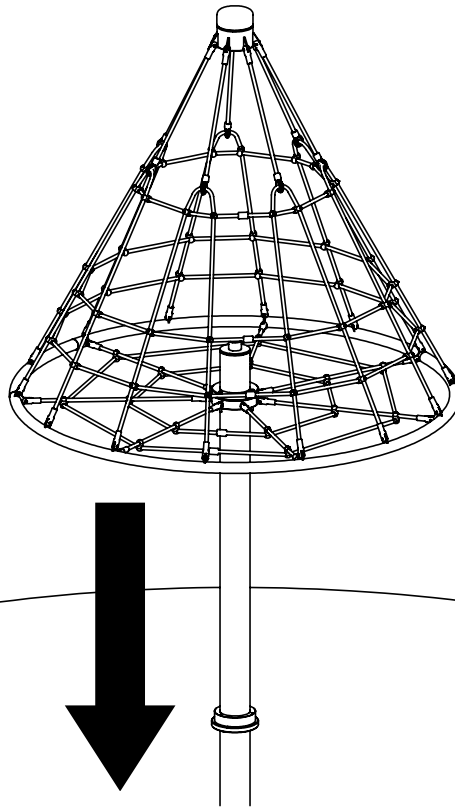


kg
46

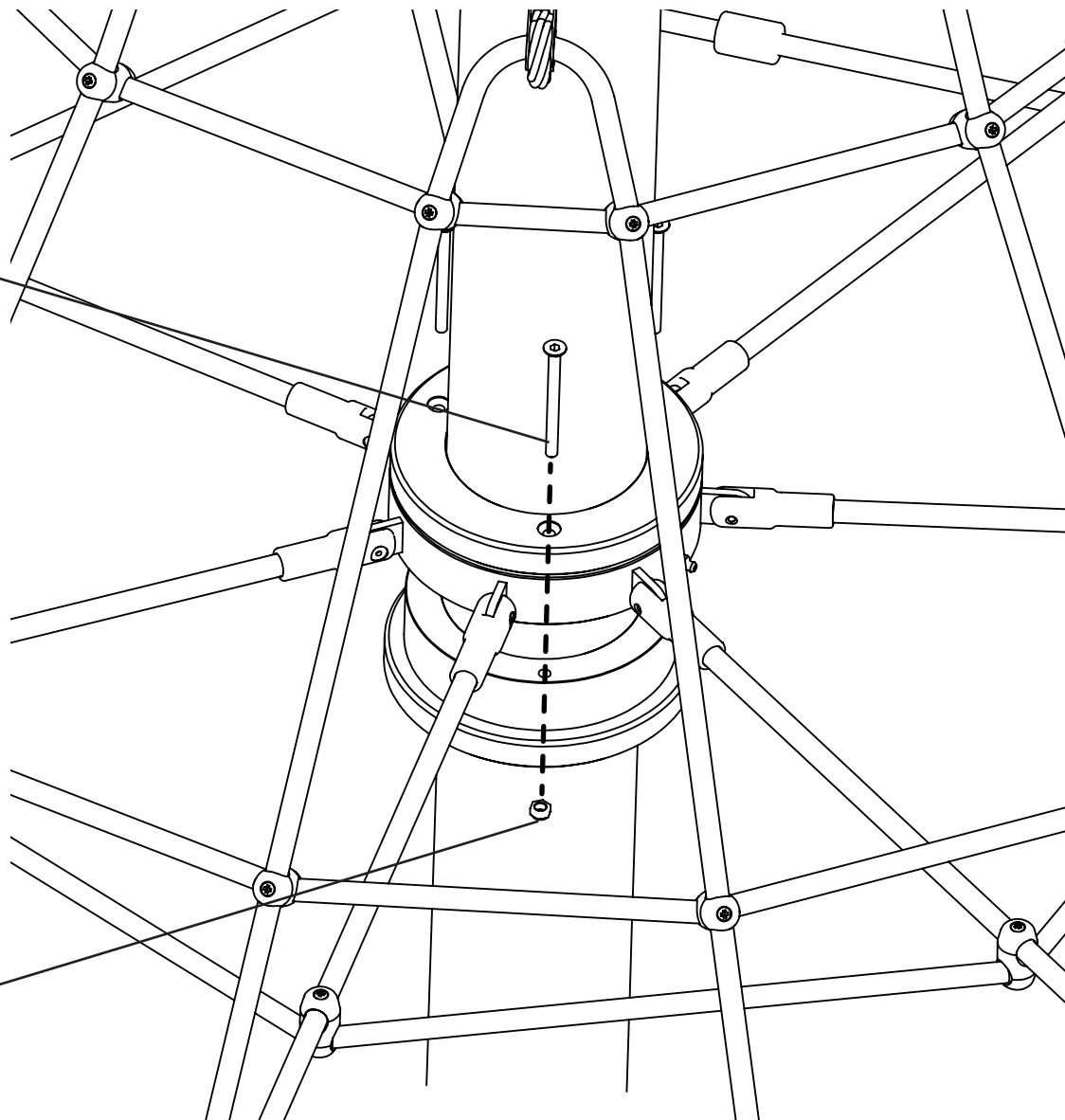
S34



2-3

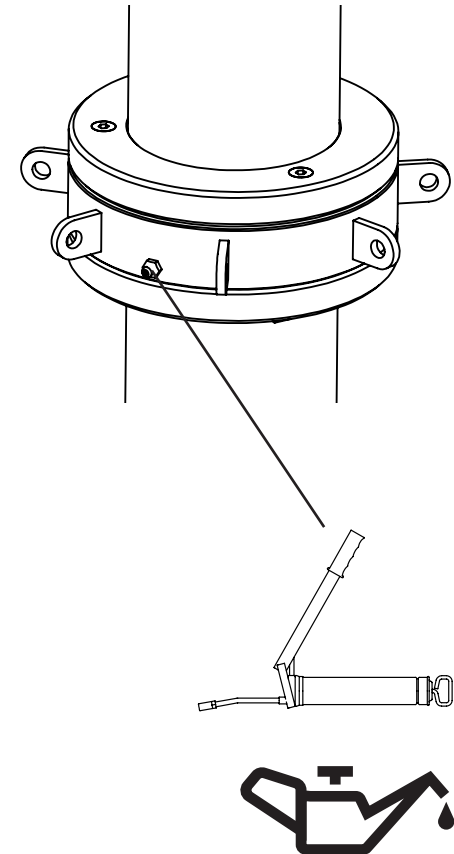
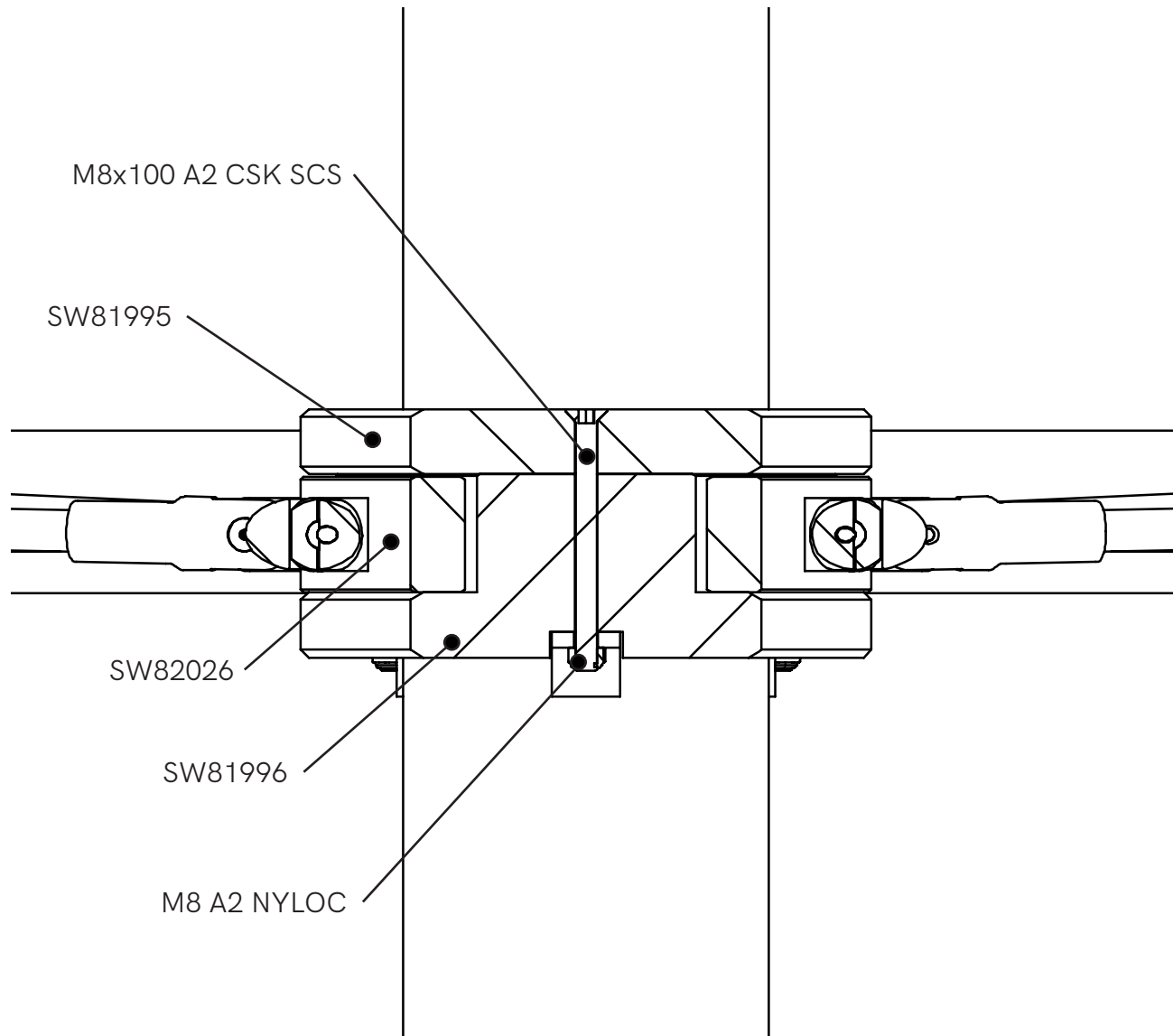


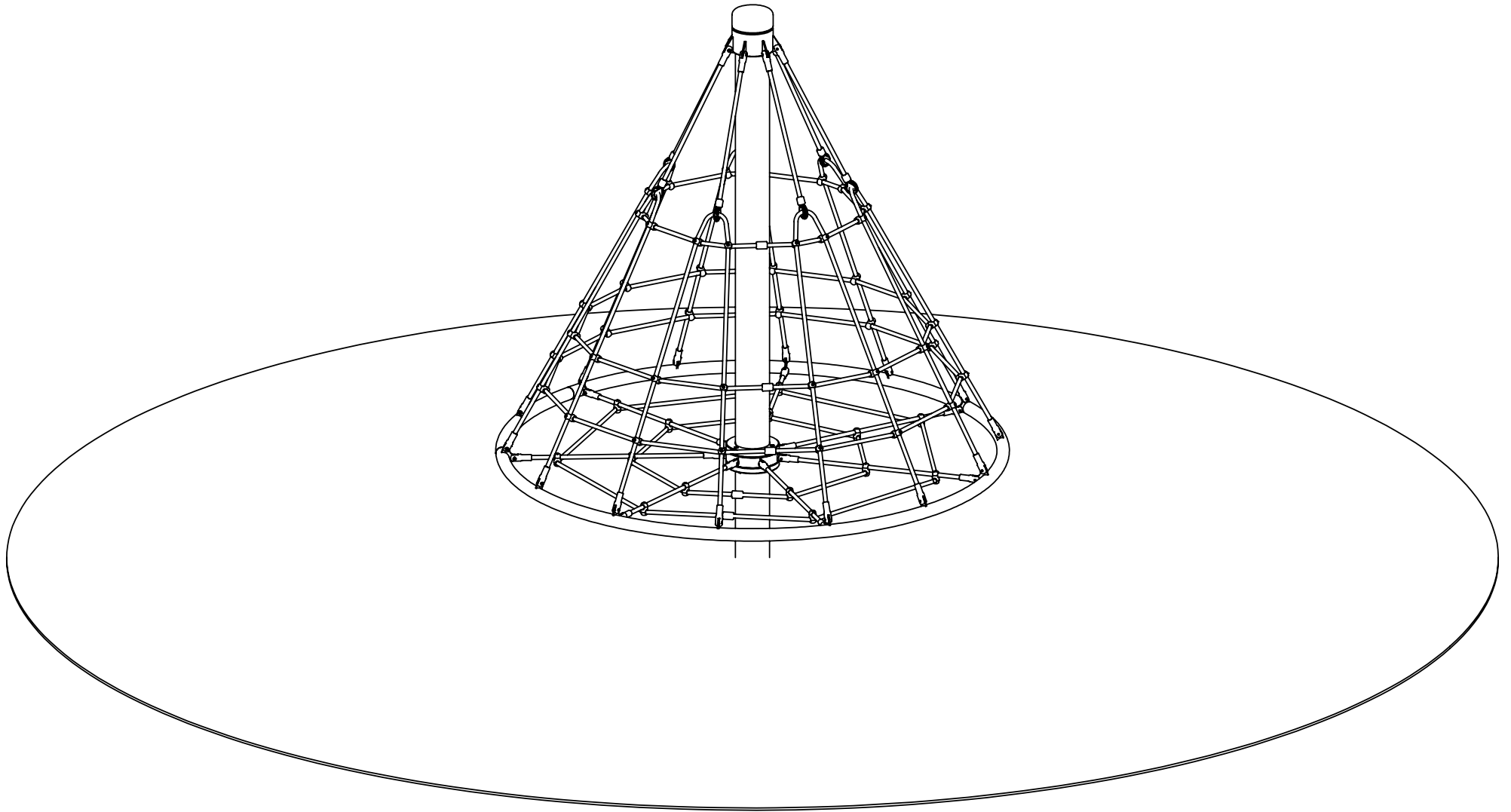
M8x100 A2 CSK SCS



M8 A2 NYLOC









Tayplay Ltd

13A Riverview Business Park
Friarton Road
Perth
PH2 8DF
Scotland

Tel: +44 (0) 1738 449 084
Fax: +44 (0) 1738 449 094
Email: info@tayplay.com
Web: www.tayplay.com

